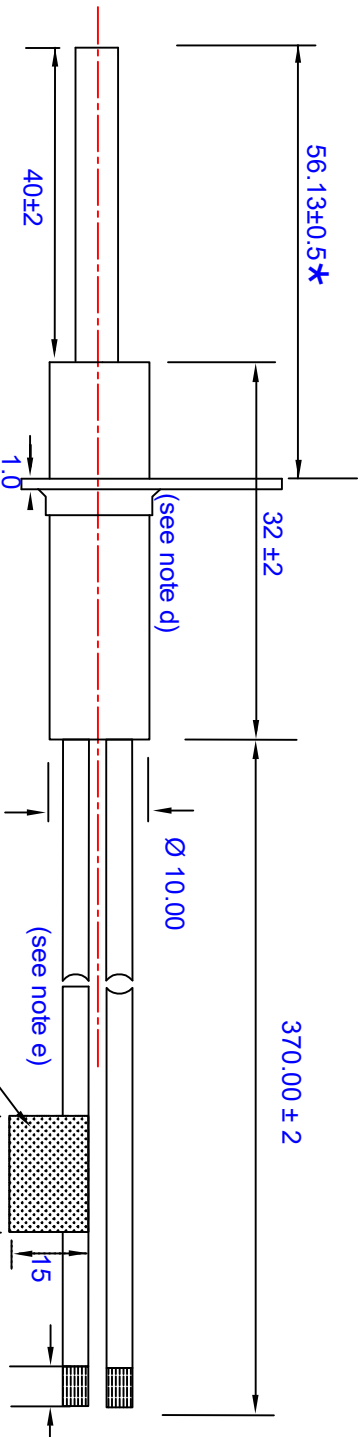
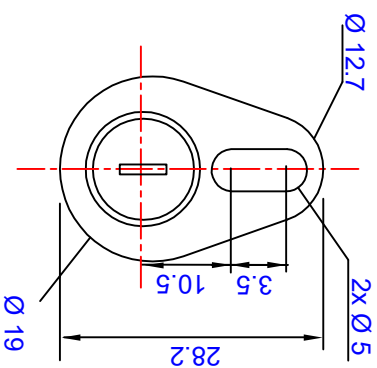


Not to Scale



- Label Requirements**
1. Production date code
 2. Batch code
 3. Voltage rating
 4. Crystal Technica logo
 5. Part Number
 6. CSA logo

Specifications:

Time to 1180°C: < 17.0 Seconds @ 120 volts ±0.5v
 Voltage: 120 volts +10% -15%
 Power Rating: 90 Watts ±20
 Temperature @ 102 volts ±0.5v >1080°C

- Notes:**
- a. Ceramic Insulator body non glazed 90%-95% alumina - polished finish
 - b. Cable - U/L Spec - temperature rating 450°C
 - c. Every component of this assembly shall withstand a load >= 5Kg
 - d. Bracket material stainless steel 304 - bright finish
 - e. All parts to be clean and free access adhesive

Star symbol ★ denotes critical dimension
 Tolerance: ± 1.0 mm unless otherwise stated

Drawn		Revisions	
MG	Oct 2014		

Crystal technica
 4 Brunel Buildings
 Newton Abbot
 Devon
 TQ12 1WN
 www.crystaltechnica.com
 technical@crystaltechnica.com

Title		Universal Gas Igniter	
Glo-Stix®			
SIZE	FSCM NO.	DWG NO.	REV
SCALE		Glo120-100-370FHT	1

© Crystal Technica 2014 SHEET 1