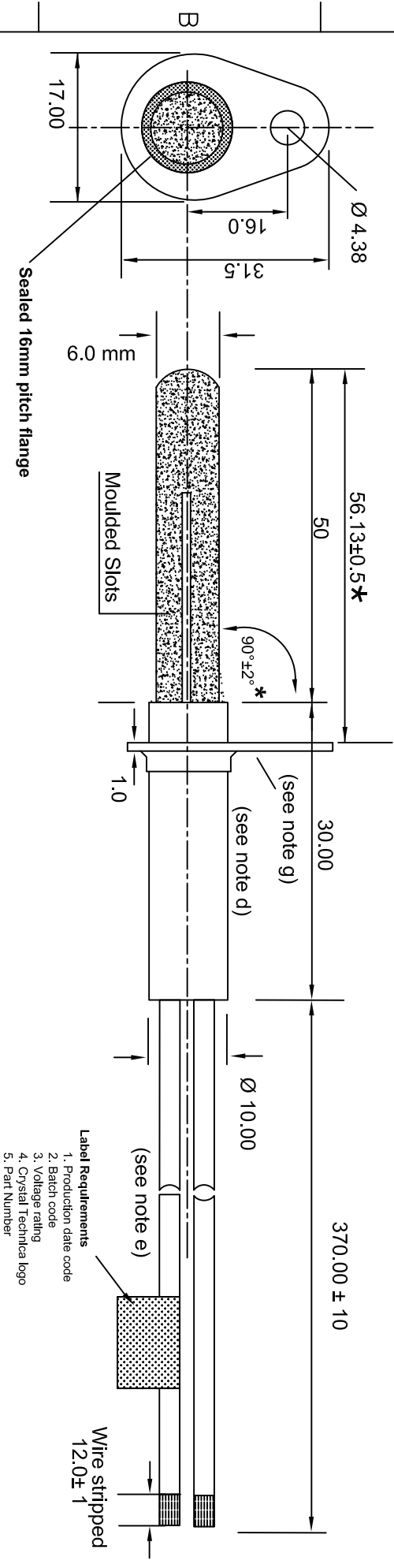


Drawn		Revisions	
MG	Mar 2012		
MG	Sept 2018	Change in resistance	1

Not to Scale



- Label Requirements**
1. Production date code
 2. Batch code
 3. Voltage rating
 4. Crystal Technica logo
 5. Part Number

Specifications:

Time to 1100°C: < 17.0 Seconds @ 240 volts ±0.5v
 Cold Resistance: 60±20 Ohms (Ref)
 Voltage: 220 volts +10% -15%
 Power Rating: 110 - 170 Watts (Ref)
 Temperature @ 12 seconds >1000°C at 220 volts

Notes:

- a. Ceramic Insulator body non glazed 90%-95% alumina - polished finish
- b. Cable - UL Spec - temperature rating 450°C
- c. Every component of this assembly shall withstand a load > = 5Kg
- d. Bracket material stainless steel 304 - bright finish
- e. All parts to be clean and free access adhesive

Star symbol * denotes critical dimension
 Tolerance: ± 1.0 mm unless otherwise stated

Crystal Technica
 Brunel Road
 Newton Abbot
 Devon
 TQ12 4PB
 www.crystaltechnica.com
 technical@crystaltechnica.com

Title		G10-Stix®	
Universal Gas Igniter			
SIZE	FSCM NO.	DWG NO.	REV
SCALE		G10240-100-370HT	1

© Crystal Technica 2018		SHEET 1	
-------------------------	--	---------	--