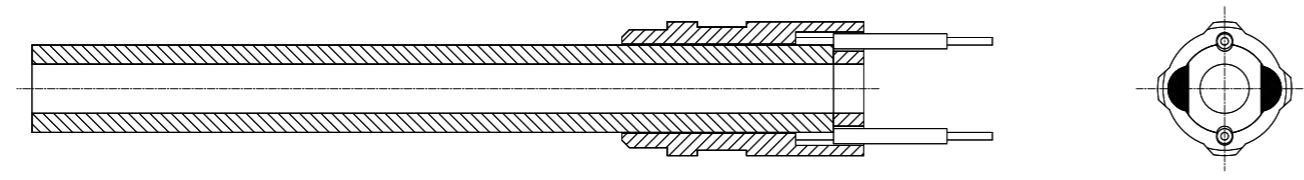
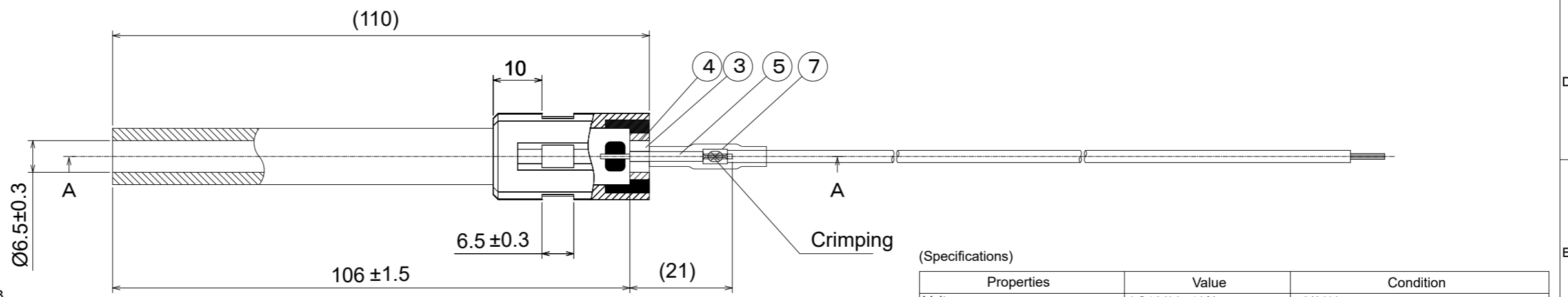
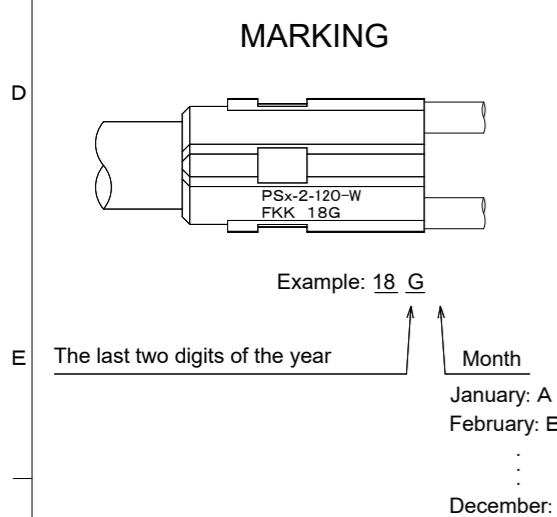
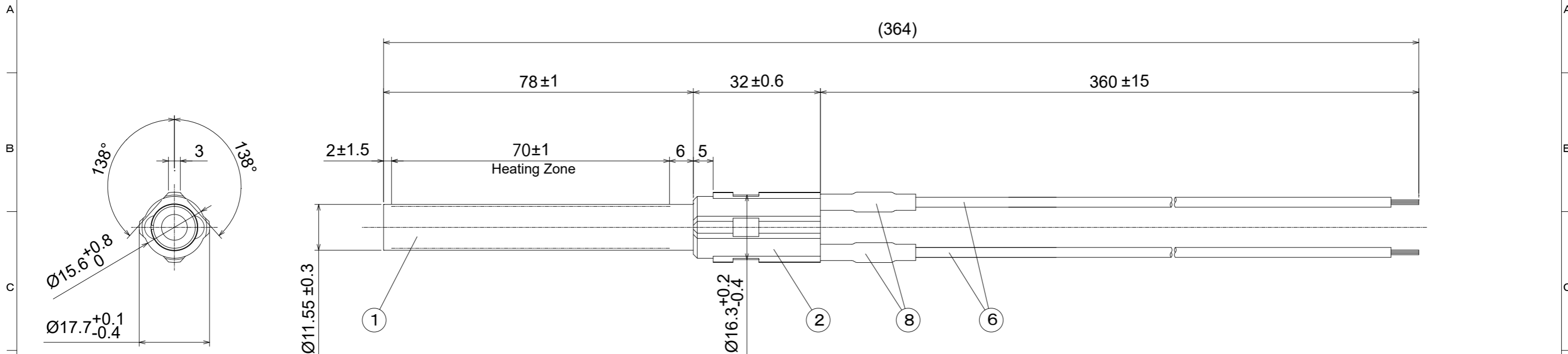


NO.	REVISION HISTORY	DATE	SIGNED	CHECKED	APPROVED
A	Revision 「 Black coating 」 erased.	16.04.01	Y.Fujimoto	R.Toyokawa	T.Murakami
B	Change of Flange Desien	18.08.01	Y.Fujimoto	R.Toyokawa	H.Kawato



(Specifications)

Properties	Value	Condition
Voltage	AC120V ±10%	50/60Hz
Normal temperature resistance	15.3~18.7Ω	23±1 °C ambient temperature
Insulation resistance	≤50MΩ	Applied at both side of Heating element DC500V at normal temperature and humidity
Withstand voltage	Current Leakage ≥5mA	Applied at both side of Heating element AC1500V for 1 s at normal temperature and humidity rate
Caulking strength (Nickel wire and lead wire)	≤29.4N	The nickel wire has been clamp and the lead part has been tested with push-pull gauge
Discontinuous conduction (Heating element)	Without break	Applied at 132V for 4 min On/5 min off (Forced cooling) for over 3000 cycles.

NO.	NAME	PCS.	DRAWING NO.	MATERIAL/DIMENSION	MODEL NUMBER	OTHER
8	HEAT SHRINKABLE TUBE	2	FEA-TS011	SST, Ø4×25L	SILICONE	180°C
7	CONNECTOR	2		Cu, tin-plating	29071-1	
6	LEAD WIRE	2	FEA-RG092	RS-GE, 0.5sq, W	SILICONE-GLASS	180°C
5	INSULATOR TUBE	2	FEA-TP003	PTFE, AWG18-15L		
4	CERAMIC-SEALING			FUJICERAM-W		FKK
3	CERAMIC CAP	1	FEA-GA542	ALUMINA 95		non-Glaze
2	INSULATOR	1	FEA-GA541	ALUMINA 95		non-Glaze
1	HEATING ELEMENT	1	FEA-EA043	ALUMINA(A473)	W/120V-FCL	

(Statements)
1. This product comply wit h RoHS and REACH standard.

NAME				PSx-2-120-W	
				(FKK-Standard Pellet system heater)	
MATERIAL			DATE 2015.03.31		
APPROVED	T.Murakami	THIRD ANGLE	CODE		
CHECKED	R.Toyokawa		DRAWING NO. IBA-HH020		
CHARGED	S.Kimura				
DESIGNED	Y.Fujimoto	SCALE	REV		
DRAWN	Y.Fujimoto	1:1	B		

Proprietary statement This drawings is the proprietary of FKK Corporation. In case of non-respect of the present term, FKK may take action and ask for damages.

FKK Corporation